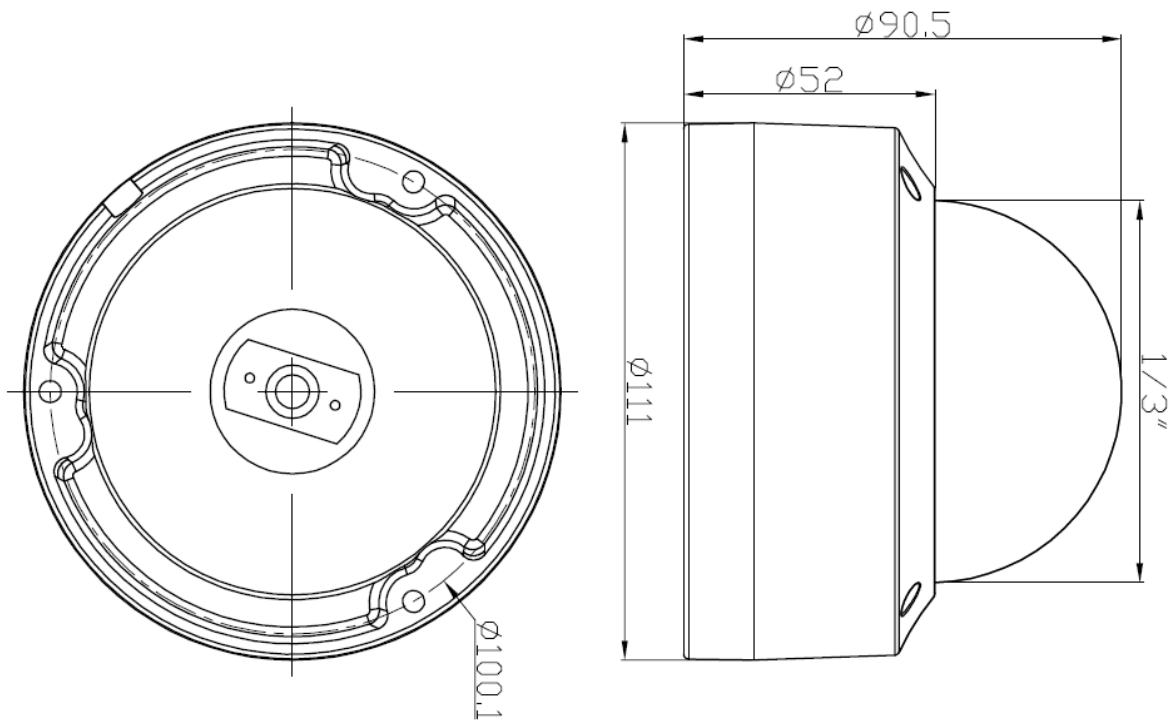
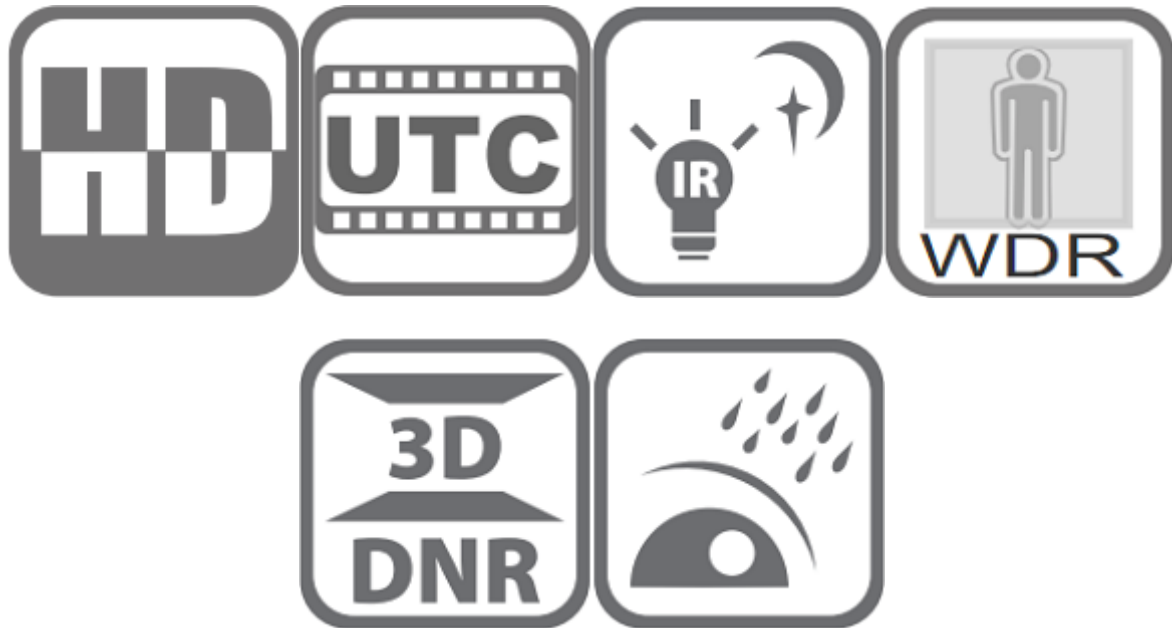


**Model: A965FAHBB54A**

---

**5MP Vandal Proof Dome 30M IR Night Vision IR Varifocal 2.8-12mm  
Analog 4 in 1 Camera**





### Features:

- ❖ 4-in-1 HD TVI/HD CVI /AHD / CVBS optional output
- ❖ UHD resolution 2560×1944P CMOS sensor
- ❖ Ultra low illumination 0.01Lux
- ❖ Up to 200M long distance and high speed real time monitoring
- ❖ OSD menu control up the coaxial cable (UTC)
- ❖ Low light and wide dynamic range
- ❖ WDR 120dB
- ❖ Day/Night (ICR), AWB, AGC, DNR
- ❖ Lightning protection
- ❖ Strong water-proof housing, IP66
- ❖ 18 pcs SMD IR Leds, IR distance 20-30 meters
- ❖ 2.8-12mm manual varifocal lens

## Technical Specifications:

<b>Model</b>	<b>A965FAHBB54A</b>
<b>Camera</b>	
Image Sensor	1/2.8" Sony IMX335 CMOS
Chipset	IMX335+FH8556
Effective Pixels	2592(H)×1944 (V)
Video Resolution	AHD/TVI/CVI 20 fps@2560×1944P, 12.5fps adjustable
Electronic Shutter	AUTO, 1/25 - 1/50,000s
Min. Illumination	0.01Lux@F1.2(AGC ON), 0Lux IR on
Video System	PAL/NTSC
Video Output	1 channel, HDTV/ AHD/ HDCVI /CVBS , adjustable
Video Switch	DIP switch
Day/Night	Auto/Color/(B/W)/EXT
WDR	Upto 120dB
DNR	2D 3D NR
OSD Menu	Multiple languages OSD menu control up the coaxial cable (UTC)
<b>IR LED</b>	
IR LED	18 PCS SMD IR LEDs
IR Distance	20-30 meters
<b>Lens</b>	
Focal length	2.8-12mm manual varifocal lens
<b>General</b>	
Power Supply	12 VDC ± 10%
Power Consumption	< 5 W
Operating Temp.	-20°C-(+60)°C 10%-90%RH